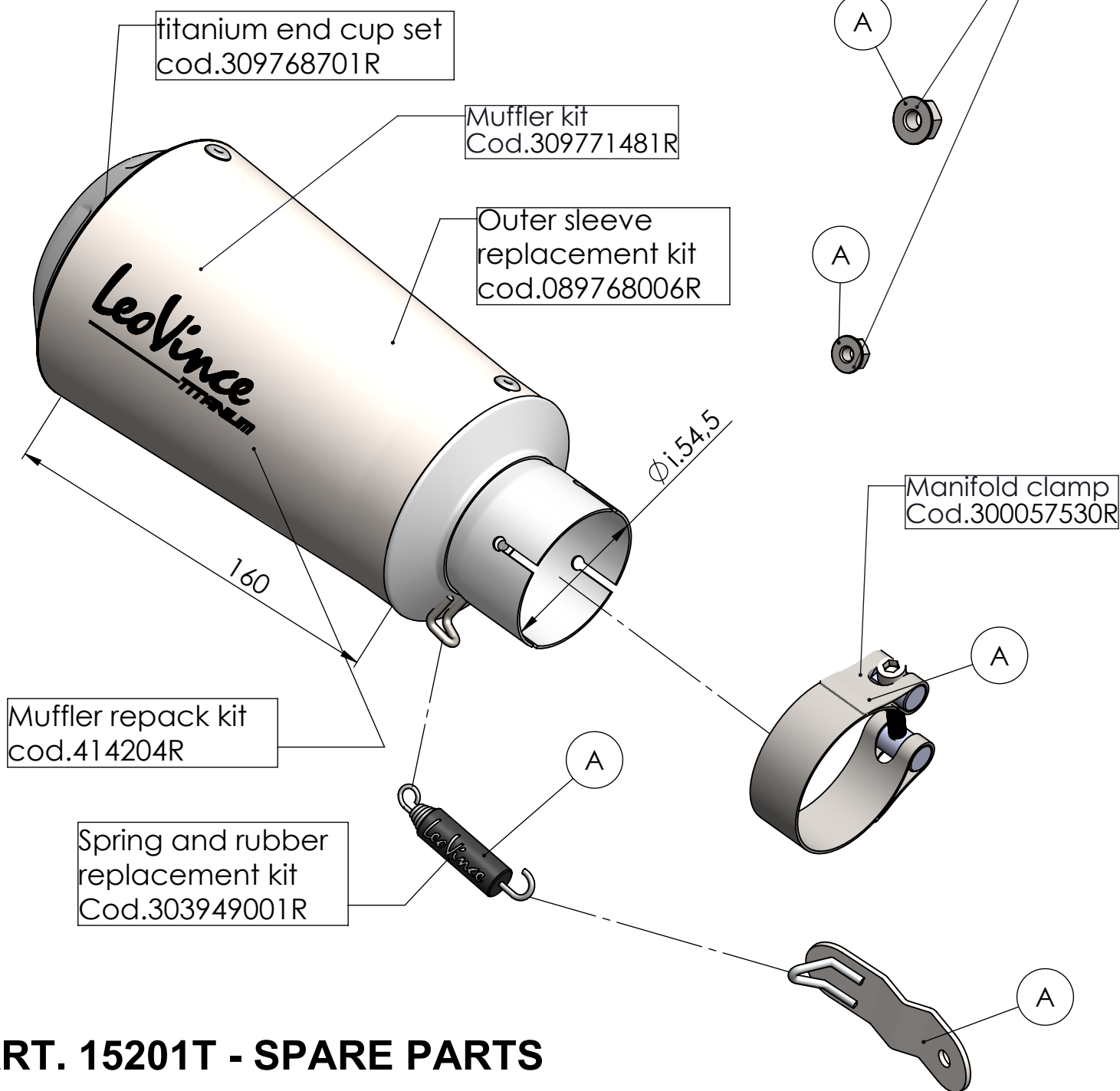


Extra nuts to be used with original bolts that mount the original exhaust hanger bracket. This will allow you to remove the original hanger bracket but re-use the bolts as to not leave empty holes once the bracket is removed.



ART. 15201T - SPARE PARTS

YAMAHA YZF-R1 / M

Ⓐ FITTING KIT cod.3015201601R